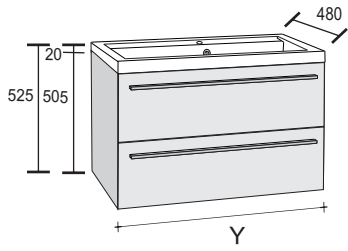
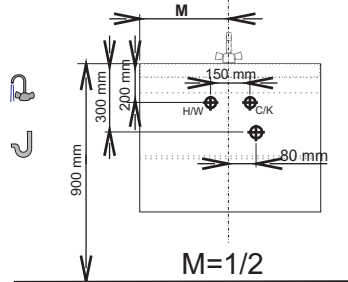


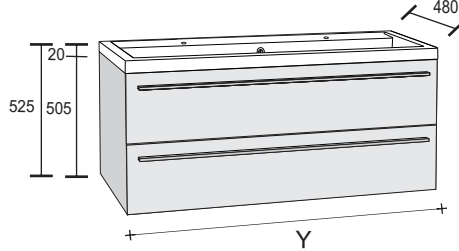
1 Tap hole
1 Cabinet



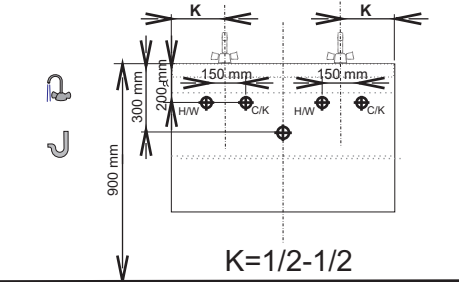
Y = 600mm/800mm/1000mm



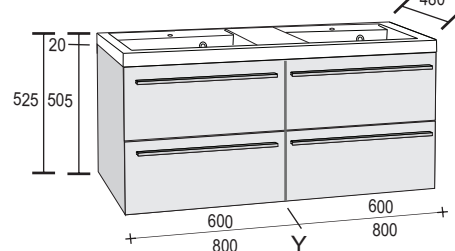
2 Tap holes
1 Cabinet



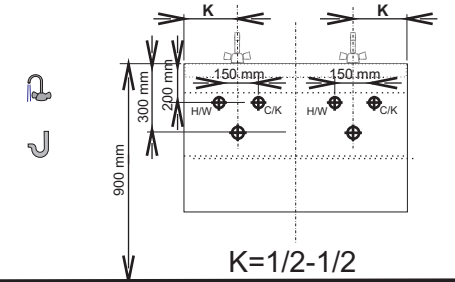
Y = 1000mm/1200mm/1400mm



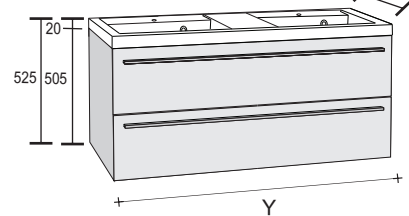
2 Tap holes
2 Cabinets



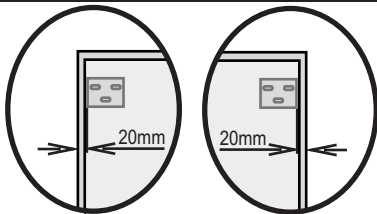
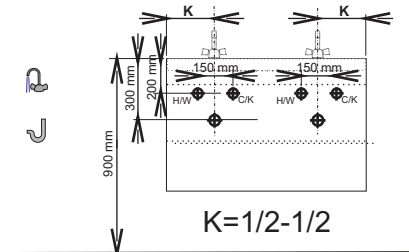
Y = 2x600mm/2x800mm



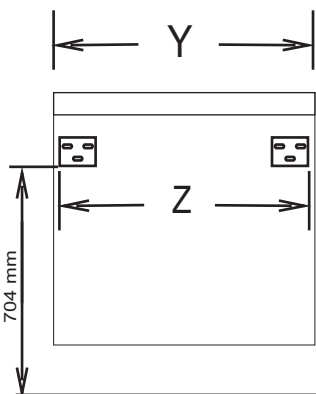
2 Tap holes
1 Cabinet



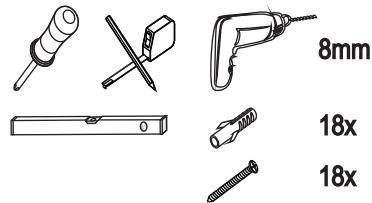
Y = 1200mm/1400mm



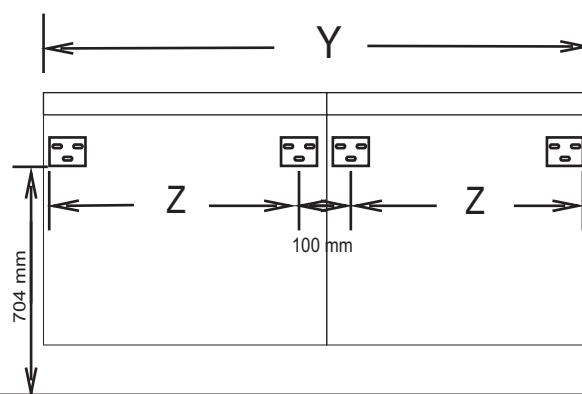
2 DRAWERS



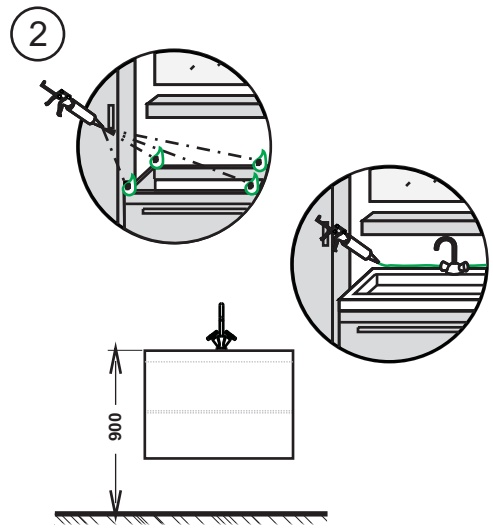
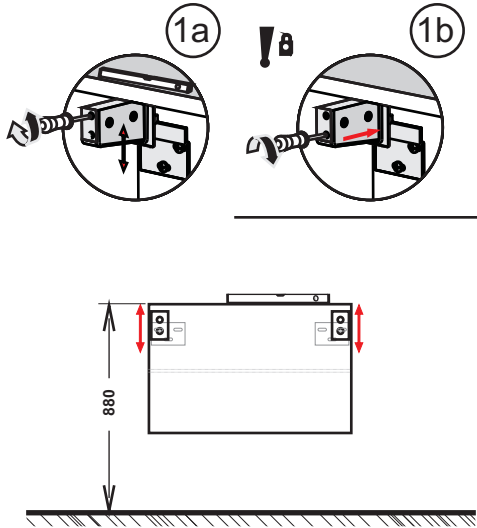
Y	Z
600	560
800	760
1000	960
1200	1160
1400	1360



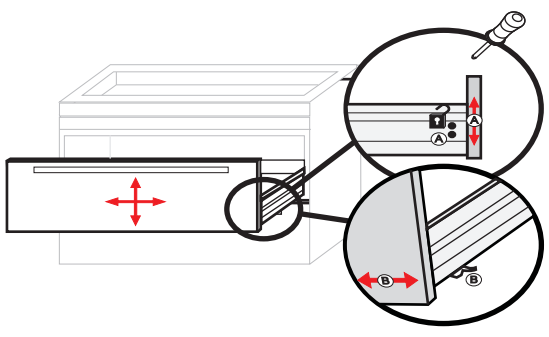
4 DRAWERS



Y	Z
1200	530
1600	730

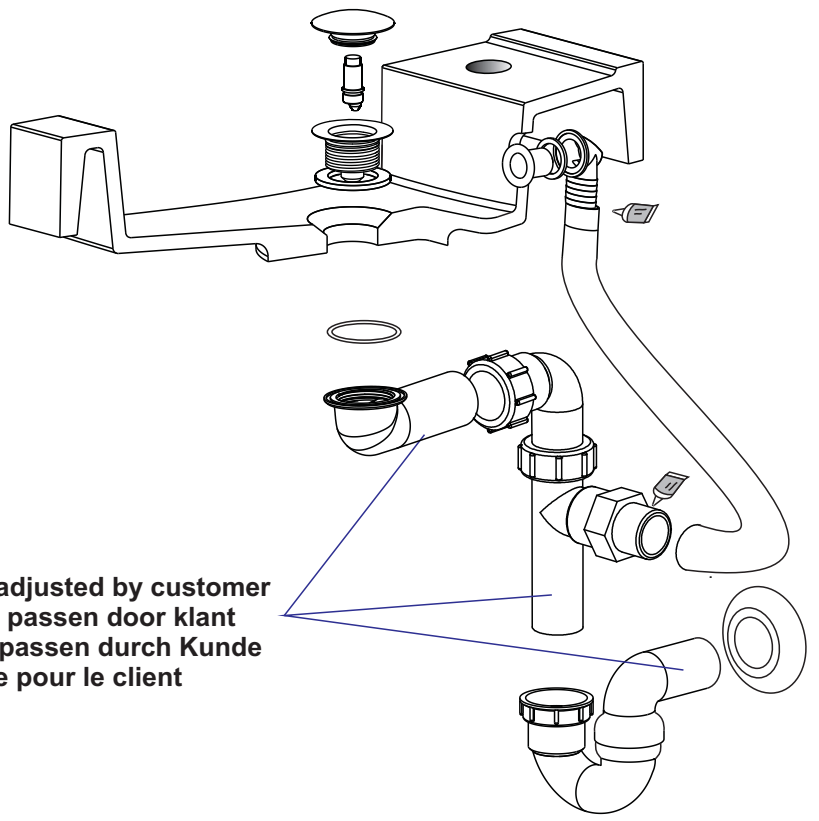
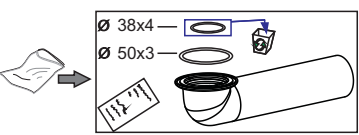
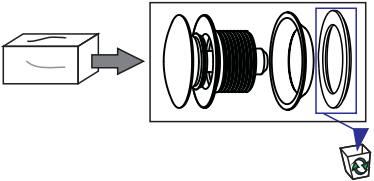
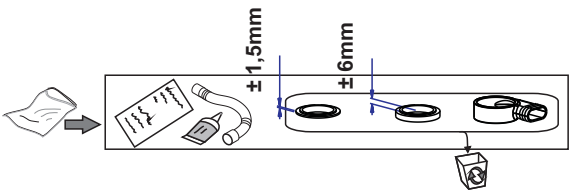
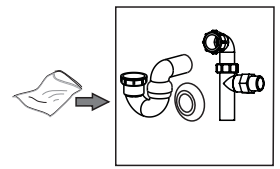
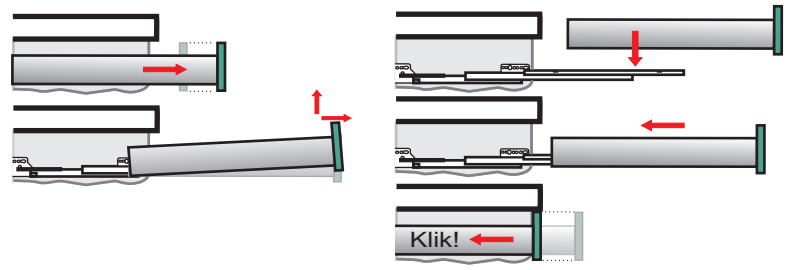


3



OUT

IN



To be adjusted by customer
 Aan te passen door klant
 An zu passen durch Kunde
 Adapte pour le client